

<i>BLUETOOTH</i> [®] DOC	Date / Year-Month-Day 2012-11-06	Approved Adopted	Revision V12	Document No RFCOMM_SPEC
Prepared By BARB	E-mail Address Barb-main@bluetooth.org			N.B.

RFCOMM WITH TS 07.10

Serial Port Emulation

Abstract

This document specifies the RFCOMM protocol by specifying a subset of the ETSI TS 07.10 standard, along with some *Bluetooth*[®]-specific adaptations.

Revision History

Revision	Date	Comments
V11	22 February 2001	Version released with Bluetooth Core Specification V1.1.
D12r00	15 August 2005	Edited specification for v1.2 or Later updates
D12r01	14 September 2005	Editorial updates
D12r02	31 October 2005	Editorial updates
D12r03	15 November 2005	Editorial updates
D12r04	20 March 2006	Editorial updates
D12r05	23 June 2006	Technical change, section 6.3
D12r06	01 August 2007	Technical changes to section 6.1 and 7.3.1
D12r07	09 August 2007	Errata 364; Fix table reference in Section 5.5.3 to Table 5.1
D12r08	01 Oct 2007	Incorporate IEEE language changes
D12r09	01 May 2012	Address comments in D12r08-AB-Terry+TBH4 version
D12r10	02 May 2012	Changed TS 07.10 to GSM 07.10
D12r11	03 May 2012	Addressed remaining comments. Spell checked and corrected grammar per grammar checker.
D12r12	31 May 2012	Fix minor editorial errors found by CC and HY. See comments.
D12r13	11 June 2012	Redraw Figure 2.2; Update reference from EIATIA-232 to ITU-TV.24
D12r14	12 July 2012	Edits based on further BARB review
D12r15	13 July 2012	Edits based on further BARB review
V12	06-Nov 2012	Adopted by the Bluetooth SIG Board of Directors

Contributors

Name	Company
Christian Andersson (EC 14)	Telefonaktiebolaget LM Ericsson
Ingemar Nilsson	Telefonaktiebolaget LM Ericsson
Patrik Olsson	Telefonaktiebolaget LM Ericsson
Gerrit Slot	Telefonaktiebolaget LM Ericsson
Johan Sørensen (Section Owner)	Telefonaktiebolaget LM Ericsson
Donald Liechty (EC 14)	Extended Systems
Robert Hunter (EC 14)	Intel Corporation
Srikanth Kambhatla	Intel Corporation
Stan Adermann (EC 14)	Microsoft Corporation
Michael Camp	Nokia Mobile Phones
Pere(PR14) Godia-Canero (EC 14)	Nokia Mobile Phones
Riku Mettšlä	Nokia Mobile Phones
Malcolm Box (EC 14)	Symbian

Disclaimer and Copyright Notice

The copyright in this specification is owned by the Promoter Members of *Bluetooth*® Special Interest Group (SIG), Inc. ("*Bluetooth* SIG"). Use of these specifications and any related intellectual property (collectively, the "Specification"), is governed by the Promoters Membership Agreement among the Promoter Members and *Bluetooth* SIG (the "Promoters Agreement"), certain membership agreements between *Bluetooth* SIG and its Adopter and Associate Members (the "Membership Agreements") and the *Bluetooth* Specification Early Adopters Agreements (1.2 Early Adopters Agreements) among Early Adopter members of the unincorporated *Bluetooth* SIG and the Promoter Members (the "Early Adopters Agreement"). Certain rights and obligations of the Promoter Members under the Early Adopters Agreements have been assigned to *Bluetooth* SIG by the Promoter Members.

Use of the Specification by anyone who is not a member of *Bluetooth* SIG or a party to an Early Adopters Agreement (each such person or party, a "Member"), is prohibited. The legal rights and obligations of each Member are governed by their applicable Membership Agreement, Early Adopters Agreement or Promoters Agreement. No license, express or implied, by estoppel or otherwise, to any intellectual property rights are granted herein.

Any use of the Specification not in compliance with the terms of the applicable Membership Agreement, Early Adopters Agreement or Promoters Agreement is prohibited and any such prohibited use may result in termination of the applicable Membership Agreement or Early Adopters Agreement and other liability permitted by the applicable agreement or by applicable law to *Bluetooth* SIG or any of its members for patent, copyright and/or trademark infringement.

THE SPECIFICATION IS PROVIDED "AS IS" WITH NO WARRANTIES WHATSOEVER, INCLUDING ANY WARRANTY OF MERCHANTABILITY, NONINFRINGEMENT, FITNESS FOR ANY PARTICULAR PURPOSE, SATISFACTORY QUALITY, OR REASONABLE SKILL OR CARE, OR ANY WARRANTY ARISING OUT OF ANY COURSE OF DEALING, USAGE, TRADE PRACTICE, PROPOSAL, SPECIFICATION OR SAMPLE.

Each Member hereby acknowledges that products equipped with the *Bluetooth* technology ("*Bluetooth* products") may be subject to various regulatory controls under the laws and regulations of various governments worldwide. Such laws and regulatory controls may govern, among other things, the combination, operation, use, implementation and distribution of *Bluetooth* products. Examples of such laws and regulatory controls include, but are not limited to, airline regulatory controls, telecommunications regulations, technology transfer controls and health and safety regulations. Each Member is solely responsible for the compliance by their *Bluetooth* Products with any such laws and regulations and for obtaining any and all required authorizations, permits, or licenses for their *Bluetooth* products related to such regulations within the applicable jurisdictions. Each Member acknowledges that nothing in the Specification provides any information or assistance in connection with securing such compliance, authorizations or licenses. **NOTHING IN THE SPECIFICATION CREATES ANY WARRANTIES, EITHER EXPRESS OR IMPLIED, REGARDING SUCH LAWS OR REGULATIONS.**

ALL LIABILITY, INCLUDING LIABILITY FOR INFRINGEMENT OF ANY INTELLECTUAL PROPERTY RIGHTS OR FOR NONCOMPLIANCE WITH LAWS, RELATING TO USE OF THE SPECIFICATION IS EXPRESSLY DISCLAIMED. BY USE OF THE SPECIFICATION, EACH MEMBER EXPRESSLY WAIVES ANY CLAIM AGAINST *BLUETOOTH* SIG AND ITS PROMOTER MEMBERS RELATED TO USE OF THE SPECIFICATION.

Bluetooth SIG reserve the right to adopt any changes or alterations to the Specification as it deems necessary or appropriate.

Copyright © 2012. Bluetooth® SIG, Inc. All copyrights in the Bluetooth Specifications themselves are owned by Ericsson AB, Lenovo (Singapore) Pte. Ltd., Intel Corporation, Microsoft Corporation, Motorola Mobility, Inc., Nokia Corporation, and Toshiba Corporation.

***Other third-party brands and names are the property of their respective owners.**

Contents

1	Introduction	5
1.1	Overview	5
1.2	Device Types	5
1.3	Byte Ordering.....	6
2	RFCOMM Service Overview	7
2.1	RS-232 Control Signals	7
2.2	Null Modem Emulation	7
2.3	Multiple Emulated Serial Ports	8
2.3.1	Multiple Emulated Serial Ports between two Devices.....	8
2.3.2	Multiple Emulated Serial Ports and Multiple Bluetooth Devices	9
3	Service Interface Description	11
3.1	Service Definition Model.....	11
4	GSM 07.10 Subset Supported by RFCOMM	12
4.1	Options and Modes	12
4.2	Frame Types.....	12
4.3	Commands	12
4.4	Convergence Layers	13
5	GSM 07.10 Adaptations for RFCOMM	14
5.1	Media Adaptation.....	14
5.1.1	FCS calculation	14
5.1.2	P/F-Bit	14
5.1.3	CR Bit.....	14
5.2	GSM 07.10 Multiplexer Start-up and Closedown Procedure	15
5.2.1	Start-up Procedure.....	15
5.2.2	Close-down Procedure	16
5.2.3	Link Loss Handling.....	16
5.3	System Parameters	16
5.4	DLCI allocation with RFCOMM Server Channels.....	17
5.5	Multiplexer Control Commands	17
5.5.1	Remote Port Negotiation Command (RPN).....	18
5.5.2	Remote Line Status Command (RLS)	18
5.5.3	DLC Parameter Negotiation (PN)	18
6	Flow Control	21
6.1	L2CAP Flow Control in Overview	21
6.2	Wired Serial Port Flow Control	21
6.3	GSM 07.10 Flow Control	21
6.4	Port Emulation Entity Serial Flow Control	22
6.5	Credit Based Flow Control.....	22
6.5.1	Initial DLC Negotiation	23
6.5.2	DLC Operation	23
6.5.3	Other Flow Control Aspects	24
7	Interaction with Other Entities.....	25
7.1	Port Emulation and Port Proxy Entities	25
7.1.1	Port Emulation Entity.....	25
7.1.2	Port Proxy Entity	25
7.2	Service Registration and Discovery	25
7.3	Lower Layer Dependencies.....	27
7.3.1	Reliability.....	27
7.3.2	Low Power Modes.....	27
8	References.....	28
9	Terms and Abbreviations	29

1 Introduction

The RFCOMM protocol provides emulation of serial ports over the L2CAP protocol [2]. The protocol is based on the ETSI standard GSM 07.10 [1]. This document does not contain a complete specification. Instead, references are made to the relevant parts of the GSM 07.10 standard. Only a subset of the GSM 07.10 standard is used, and some adaptations of the protocol are specified in this document. Furthermore, an RFCOMM-specific extension is added, in the form of a mandatory credit based flow control scheme.

1.1 Overview

RFCOMM is a simple transport protocol, with additional provisions for emulating the nine circuits of RS-232 (ITU-T V.24) serial ports.

The RFCOMM protocol supports up to 60 simultaneous connections between two Bluetooth devices. The number of connections that may be used simultaneously in a Bluetooth device is implementation-specific.

1.2 Device Types

For the purposes of RFCOMM, a complete communication path involves two applications running on different devices (the communication endpoints) with a communication segment between them. Figure 1.1 shows the complete communication path. (In this context, the term *application* may mean other things than end-user application; e.g. higher layer protocols or other services acting on behalf of end-user applications.)

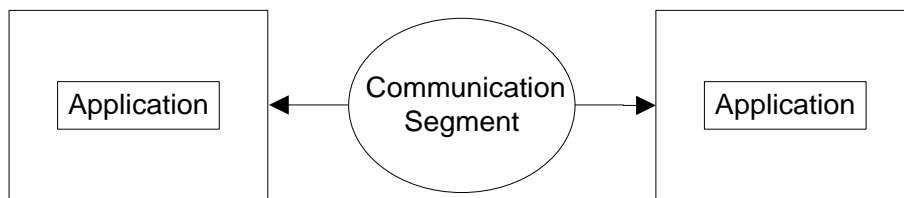


Figure 1.1: RFCOMM Communication Segment

RFCOMM is intended to cover applications that make use of the serial ports of the devices in which they reside. In the simple configuration, the communication segment is a Bluetooth link from one device to another (direct connect), see Figure 1.2. Where the communication segment is another network, Bluetooth wireless technology is used for the path between the device and a network connection device like a modem. RFCOMM is only concerned with the connection between the devices in the direct connect case, or between the device and a modem in the network case. RFCOMM can support other configurations, such as modules that communicate via Bluetooth wireless technology on one side and provide a wired interface on the other side, as shown in Figure 1.3. These

devices are not really modems but offer a similar service. They are therefore not explicitly discussed here.

This specification supports implementation of the following two device types:

- Type 1 devices are communication endpoints such as computers and printers.
- Type 2 devices are those that are part of the communication segment; e.g. modems.

Though RFCOMM does not make a distinction between these two device types in the protocol, accommodating both types of devices impacts the RFCOMM protocol.

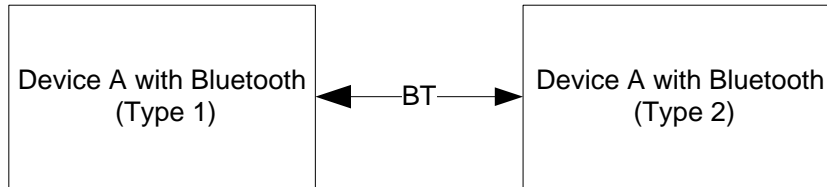


Figure 1.2: RFCOMM Direct Connect

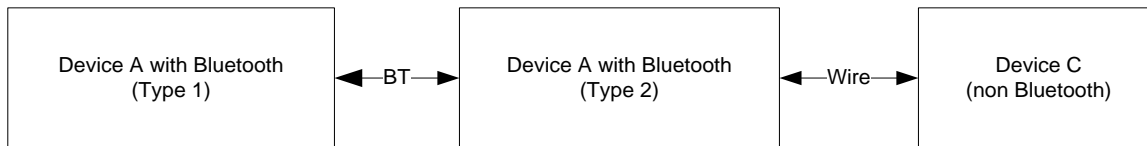


Figure 1.3: RFCOMM used with legacy COMM device

The information transferred between two RFCOMM entities has been defined to support both type 1 and type 2 devices. Some information is only needed by type 2 devices while other information is intended to be used by both. In the protocol, no distinction is made between type 1 and type 2. It is therefore up to the RFCOMM implementers to determine if the information passed in the RFCOMM protocol is of use to the implementation. Since the device is not aware of the type of the other device in the communication path, each shall pass on all available information specified by the protocol.

1.3 Byte Ordering

This document uses the same byte ordering as the GSM 07.10 specification; i.e. all binary numbers are in Least Significant Bit to Most Significant Bit order, reading from left to right.

2 RFCOMM Service Overview

RFCOMM emulates RS-232 (ITU-T V.24) serial ports. The emulation includes transfer of the state of the non-data circuits. RFCOMM has a built-in scheme for null modem emulation.

In the event that a baud rate is set for a particular port through the RFCOMM service interface, that will not affect the actual data throughput in RFCOMM; i.e. RFCOMM does not incur artificial rate limitation or pacing. However, if either device is a type 2 device (relays data onto other media), or if data pacing is done above the RFCOMM service interface in either or both ends, actual throughput will, on average, reflect the baud rate setting.

RFCOMM supports emulation of multiple serial ports between two devices and emulation of serial ports between multiple devices, see section 2.3.

2.1 RS-232 Control Signals

RFCOMM emulates the nine circuits of an RS-232 interface. The circuits are listed in Table 2.1.

Pin	Circuit Name
102	Signal Common
103	Transmit Data (TD)
104	Received Data (RD)
105	Request to Send (RTS)
106	Clear to Send (CTS)
107	Data Set Ready (DSR)
108	Data Terminal Ready (DTR)
109	Data Carrier Detect (CD)
125	Ring Indicator (RI)

Table 2.1: Emulated RS-232 circuits in RFCOMM

2.2 Null Modem Emulation

RFCOMM is based on GSM 07.10. When it comes to transfer of the states of the non-data circuits, GSM 07.10 does not distinguish between DTE and DCE devices. The RS-232 control signals are sent as a number of DTE/DCE independent signals; see Table 2.2.

GSM 07.10 Signals	Corresponding RS-232 Control Signals
RTC	DSR, DTR
RTR	RTS, CTS
IC	RI
DV	DCD

Table 2.2: GSM 07.10 Serial Port Control Signals

The way in which GSM 07.10 transfers the RS-232 control signals creates an implicit null modem when two devices of the same kind are connected together. Figure 2.1 shows the null modem that is created when two DTE are connected via RFCOMM. No single null-modem cable-wiring scheme works in all cases; however, the null modem scheme provided in RFCOMM should work in most cases.

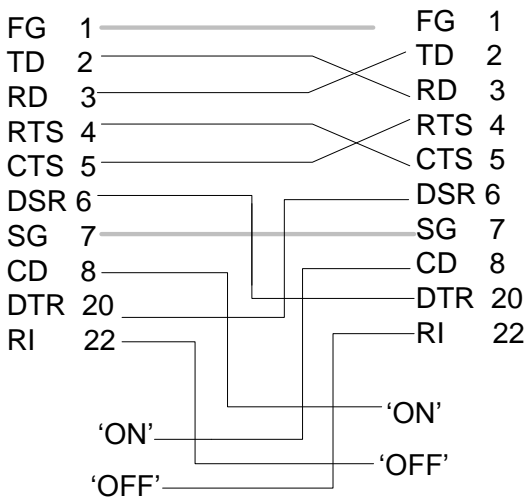


Figure 2.1: RFCOMM DTE–DTE Null Modem Emulation

2.3 Multiple Emulated Serial Ports

2.3.1 Multiple Emulated Serial Ports between two Devices

Two Bluetooth devices using RFCOMM in their communication may open multiple emulated serial ports. RFCOMM supports up to 60 open emulated ports; however, the number of ports that can be used in a device is implementation-specific.

A Data Link Connection Identifier (DLCI) GSM 07.10 identifies an ongoing connection between a client and a server application. The DLCI is represented by 6 bits, but its usable value range is 2...61; in GSM 07.10, DLCI 0 is the dedicated control channel, DLCI 1 is unusable due to the concept of Server Channels, and DLCIs 62-63 are reserved. The DLCI is unique within one RFCOMM session between two devices. (This is explained further in section 2.3.2) To account for the fact that both client and server applications may reside on both sides of an RFCOMM session, with clients on either side making connections independent of each other, the DLCI value space is divided

between the two communicating devices using the concept of RFCOMM server channels. This is further described in 5.4: DLCI allocation with RFCOMM Server Channels.

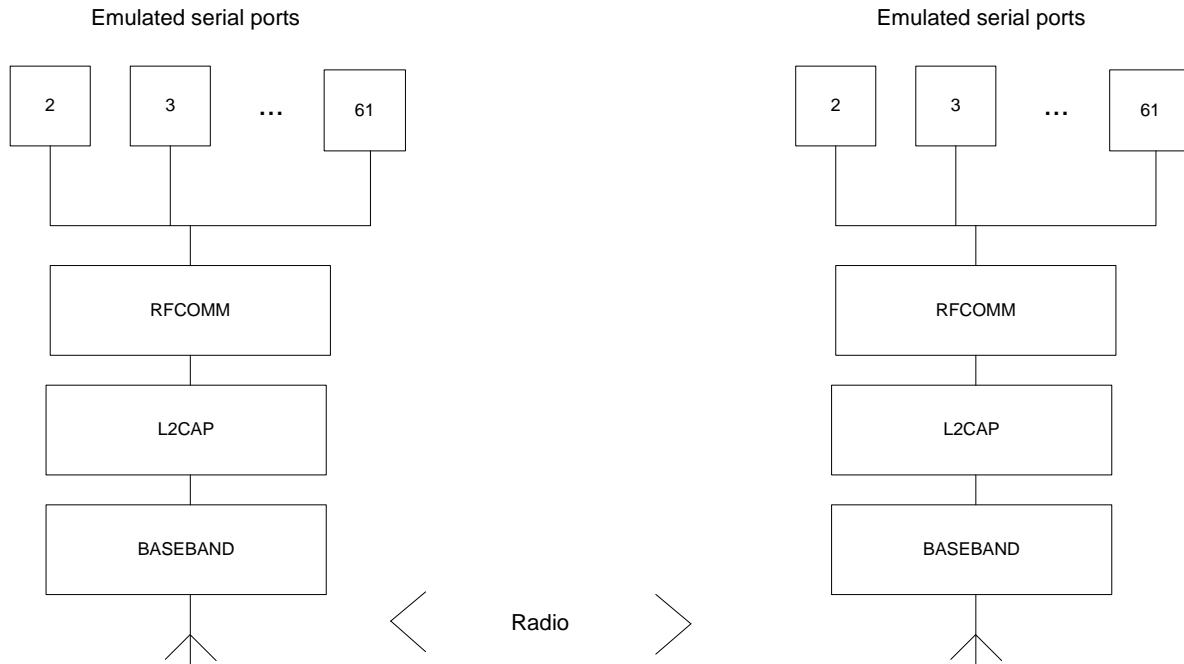


Figure 2.2: Multiple Emulated Serial Ports.

2.3.2 Multiple Emulated Serial Ports and Multiple Bluetooth Devices

If a Bluetooth device supports multiple emulated serial ports and the connections are allowed to have endpoints in different Bluetooth devices, then the RFCOMM entity must be able to run multiple GSM 07.10 multiplexer sessions, see Figure 2.3. Note that each multiplexer session is using its own L2CAP channel ID (CID). The ability to run multiple sessions of the GSM 07.10 multiplexer is optional for RFCOMM.

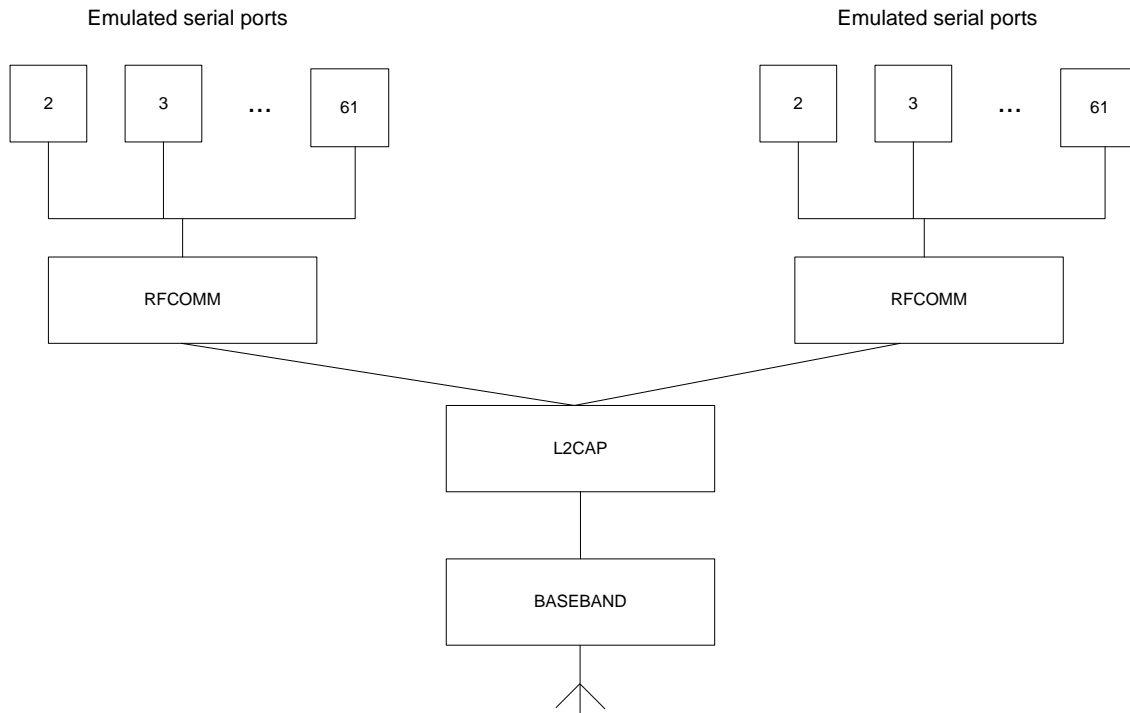


Figure 2.3: Emulating serial ports coming from two Bluetooth devices

3 Service Interface Description

RFCOMM is a protocol used to emulate serial ports. In most systems, RFCOMM will be part of a port driver that includes a serial port emulation entity.

3.1 Service Definition Model

Figure 3.1 shows a model of how RFCOMM fits into a typical system. This figure represents the RFCOMM reference model.

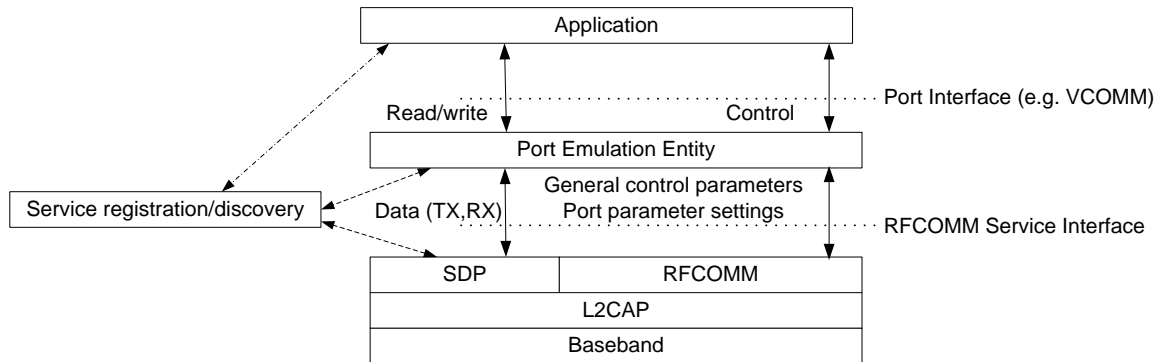


Figure 3.1: RFCOMM reference model

The elements of the RFCOMM reference model are described below.

Element	Description
Application	Applications that utilize a serial port communication interface
Port Emulation Entity	The port emulation entity maps a system-specific communication interface (API) to the RFCOMM services. The port emulation entity plus RFCOMM make up a port driver
RFCOMM	Provides a transparent data stream and control channel over an L2CAP channel. Multiplexes multiple emulated serial ports
Service Registration/Discovery	Server applications register here on local device, and it provides services for client applications to discover how to reach server applications on other devices
L2CAP	Protocol multiplexing, SAR
Baseband	Baseband protocols defined by Bluetooth Specification

4 GSM 07.10 Subset Supported by RFCOMM

4.1 Options and Modes

RFCOMM uses the basic option of GSM 07.10.

4.2 Frame Types

Table 4.1 shows the GSM 07.10 frame types that are supported in RFCOMM.

Frame Types
Set Asynchronous Balanced Mode (SABM) command
Unnumbered Acknowledgement (UA) response
Disconnected Mode (DM) response
Disconnect (DISC) command
Unnumbered information with header check (UIH) command and response

Table 4.1: Supported frame types in RFCOMM

The 'Unnumbered Information (UI) command and response' are not supported by RFCOMM. Since the error recovery mode option of the GSM 07.10 protocol is not used in RFCOMM none of the associated frame types are supported.

4.3 Commands

GSM 07.10 defines a multiplexer that has a dedicated control channel, DLCI 0. The control channel is used to convey information between two multiplexers. The following commands in GSM 07.10 are supported by RFCOMM:

Supported Control Channel Commands
Test Command (Test)
Flow Control On Command (Fcon)
Flow Control Off Command (Fcoff)
Modem Status Command (MSC)
Remote Port Negotiation Command (RPN)
Remote Line Status (RLS)
DLC parameter negotiation (PN)
Non Supported Command Response (NSC)

Whenever a non-supported command type is received a 'Non-Supported Command Response (NSC)' shall be sent.

4.4 Convergence Layers

RFCOMM only supports the type 1 convergence layer in GSM 07.10.

The Modem Status Command (MSC) shall be used to convey the RS-232 control signals and the break signal for all emulated serial ports.

5 GSM 07.10 Adaptations for RFCOMM

5.1 Media Adaptation

The opening flag and the closing flags in the GSM 07.10 basic option frame are not used in RFCOMM. Instead, only the fields contained between the flags are exchanged between the L2CAP layer and RFCOMM layer; see [Figure 5.1](#).

There is always exactly one RFCOMM frame contained in each L2CAP frame.

Flag	Address	Control	Length Indicator	Information	FCS	Flag
0111 1101	1 octet	1 octet	1 or 2 octets	Unspecified length but integral number of octets	1 octet	0111 1101

Figure 5.1: Frame Structure for Basic option

Note that the opening and closing flags from the GSM 07.10 Basic option are excluded in RFCOMM.

5.1.1 FCS calculation

In GSM 07.10, the frame check sequence (FCS) is calculated on different sets of fields for different frame types. These are the fields that the FCS is calculated on:

- For SABM, DISC, UA, DM frames: on Address, Control and Length field.
- For UIH frames: on Address and Control field.

(This is stated here for clarification, and to set the standard for RFCOMM; the fields included in FCS calculation have actually changed in version 7.0.0 of GSM 07.10, but RFCOMM will not change the FCS calculation scheme from the one above.)

5.1.2 P/F-Bit

In the control field (see [Figure 5.1](#)), there is one bit denoted as the P/F-bit. The general function of this bit is explained in GSM 07.10 [1], section 5.4.4. In addition, the value to use for the P/F-bit in UIH frames is further clarified in GSM 07.10 [1], section 5.4.3.1. These rules apply without modification on an RFCOMM session where the credit based flow control scheme is not in use. See [6.5: Credit Based Flow Control](#).

However, when credit based flow control is in use, the meaning of the P/F-bit is redefined for UIH frames. This also involves a redefinition of the frame structure, compared to [Figure 5.1](#). See DLC Op for further details.

5.1.3 CR Bit

In GSM 07.10, there are two different C/R-bits, one in the frame level (in the address field of the frame header), and one in the message level (in the command type field of the commands sent on the multiplexer control channel). The C/R bit in the frame level is set independently of the C/R bit in the message level.

In the frame level, the C/R bit in the frame header is set as follows:

- For SABM, UA, DM and DISC frames C/R bit is set according to Table 1 in GSM 07.10 [1], section 5.2.1.2
- For UIH frames, the C/R bit is always set according to section 5.4.3.1 in GSM 07.10 [1]. This applies independently of what is contained within the UIH frames, either data or control messages.

In the message level, the C/R bit in the command type field is set as stated in section 5.4.6.2 in GSM 07.10 [1]. Control messages are sent in UIH frames, where the C/R bit in the address field of the frame header is always set according to section 5.4.3.1 in GSM 07.10 [1], independently of whether the control message is a command or a response.

5.2 GSM 07.10 Multiplexer Start-up and Closedown Procedure

The start-up and closedown procedures as specified in section 5.7 in GSM 07.10 are not supported. This means that the AT-command AT+CMUX is not supported by RFCOMM, neither is the multiplexer close down (CLD) command.

At any time, there shall be at most one RFCOMM session between any pair of devices. When establishing a new DLC, the initiating entity shall check if there already exists an RFCOMM session with the remote device, and if so, establish the new DLC on that. A session is identified by the Bluetooth BD_ADDR of the two endpoints¹.

5.2.1 Start-up Procedure

The device opening up the first emulated serial port connection between two devices is responsible for first establishing the multiplexer control channel. It shall:

- Establish an L2CAP channel to the peer RFCOMM entity, using L2CAP service primitives; see L2CAP “Service Primitives.”
- Start the RFCOMM multiplexer by sending SABM command on DLCI 0, and await UA response from peer entity. (Further optional negotiation steps are possible.)

After these steps, DLCs for user data traffic may be established.

Implementation note: There is a special case that can occur if two RFCOMM entities try to establish a session at the same time on an already existing baseband connection. This will be experienced by an RFCOMM entity as receiving a L2CAP connect indication after it has itself issued a L2CAP connect request. In this situation, the RFCOMM entity shall respond negatively to the received connect indication (since there may only be one session between two RFCOMM entities). How the situation is resolved is up to the

¹ This implies that, when responding to an L2CAP connection indication, the RFCOMM entity should save and associate the new RFCOMM session with the remote BD_ADDR. This is, at least, necessary if subsequent establishment of a DLC in the opposite direction is possible (which may depend on device capabilities).

implementation (e.g., it may retry after a random time, or leave it up to the user to retry manually).

5.2.2 Close-down Procedure

The device closing the last connection (DLC) on a particular session shall close the multiplexer by closing the corresponding L2CAP channel.

Prior to closing the L2CAP channel, the device closing the last connection may send a DISC command on DLCI 0. The other device shall respond to the DISC with a UA response.

5.2.3 Link Loss Handling

If an L2CAP link loss notification is received, the local RFCOMM entity is responsible for sending a connection loss notification to the port emulation/proxy entity for each active DLC. Then all resources associated with the RFCOMM session should be freed.

The appropriate action to take in the port emulation/proxy entity depends on the API on top. For example, for an emulated serial port (vCOMM), it would be suitable to drop CD, DSR and CTS signals (assuming device is a DTE).

5.3 System Parameters

Table 5.1 contains all the applicable system parameters for the RFCOMM implementation of the GSM 07.10 multiplexer.

System Parameter	Value
Maximum Frame Size ($N1$)	Default: 127 (negotiable range 23 – 32767)
Acknowledgement Timer ($T1$)	10-60 seconds. Recommended value: 20 seconds. See also note below.
Response Timer for Multiplexer Control Channel ($T2$)	10-60 seconds. Recommended value: 20 seconds. See also note below.

Table 5.1: System parameter values

Note: The timer $T1$ is the timeout for *frames* sent with the P/F-bit set to one (this applies only to SABM and DISC frames in RFCOMM). $T2$ is the timeout for *commands* sent in UIH frames on DLCI 0. The exact timeout values are implementation dependent, and can be chosen within the ranges indicated above. However, when sending an SABM frame to start a new DLC (with DLCI > 0) $T1$ shall be set in the interval 60 - 300 seconds (again, with exact value being implementation dependent).

Since RFCOMM relies on lower layers to provide reliable transmission, the default action performed on timeouts is to close down the multiplexer session.

On the responding side, if authentication procedures are triggered from RFCOMM, this shall only be done when receiving a SABM frame, not when receiving configuration commands preparing an unopened DLC.

5.4 DLCI allocation with RFCOMM Server Channels

To account for the fact that both client and server applications may reside on both sides of an RFCOMM session, with clients on either side making connections independent of each other, the DLCI value space is divided between the two communicating devices using the concept of RFCOMM server channels and a direction bit.

The RFCOMM server channel number is a subset of the bits in the DLCI part of the address field in the GSM 07.10 frame.

Bit No.	1	2	3	4	5	6	7	8
GSM 07.10	EA	C/R	DLCI					
RFCOMM	EA	C/R	D	Server Channel				

Table 5.2: The format of the Address Field

Server applications registering with an RFCOMM service interface are assigned a Server Channel number in the range 1...30. [0 and 31 shall not be used since the corresponding DLCIs are reserved in GSM 07.10]. This value shall be registered in the Service Discovery Database; see Service Registration and Discovery.

For an RFCOMM session, the initiating device is given the direction bit D=1 (and conversely, D=0 in the other device). When establishing a new data link connection on an existing RFCOMM session, the direction bit is used in conjunction with the Server Channel to determine the DLCI to use to connect to a specific application. This DLCI is thereafter used for all packets in both directions between the endpoints.

In effect, this partitions the DLCI value space such that server applications on the non-initiating device are reachable on DLCIs 2,4,6,...,60; and server applications on the initiating device are reachable on DLCIs 3,5,7,...,61. (Note that for a device that supports multiple simultaneous RFCOMM sessions to two or more devices, the direction bit might not be the same on all sessions.)

An RFCOMM entity making a new DLC on an existing session forms the DLCI by combining the Server Channel for the application on the other device, and the inverse of its own direction bit for the session.

DLCIs 1 and 62-63 are reserved and never used in RFCOMM.

5.5 Multiplexer Control Commands

Note that in GSM 07.10, some Multiplexer Control commands pertaining to specific DLCIs may be exchanged on the control channel (DLCI 0) *before* the corresponding DLC has been established. (This refers to the PN and RPN commands.) All such states associated with an individual DLC shall be reset to their default values upon receiving a DISC command frame, or when closing the DLC from the local side. This is to ensure that all DLC (re)establishments on the same session will have predictable results, irrespective of the session history.

If a Multiplexer Control command is received relating to a DLCI that is not open, the responding implementation may replace the "proper" response on the Multiplexer Control channel with a DM frame, sent on the referenced DLCI to indicate that the DLCI is not open, and that the responder would not grant a request to open it later either. (That is, a subsequent SABM sent by initiator would be declined with DM again.)

In GSM 07.10 [1], it is stated in section 5.4.6.1 that it is allowed to include multiple multiplexer control messages in one frame (as long as the maximum frame size is not exceeded). This feature is disallowed in RFCOMM. (However, it is still allowed for an RFCOMM entity to issue multiple multiplexer control messages, each in its own frame, without waiting for responses in between.)

5.5.1 Remote Port Negotiation Command (RPN)

The RPN command may be used before a new DLC is opened and shall be used whenever the port settings change.

The RPN command is specified as optional in GSM 07.10, but RFCOMM implementations shall recognize and respond to it, although the handling of individual settings is implementation-dependent.

5.5.2 Remote Line Status Command (RLS)

This command is used for indication of remote port line status.

The RLS command is specified as optional in GSM 07.10, RFCOMM implementations shall recognize and respond to it (although the handling of individual settings is implementation-dependent).

5.5.3 DLC Parameter Negotiation (PN)

The PN command is specified as optional in GSM 07.10, but it is mandatory to use for RFCOMM implementations conforming to the Bluetooth specification version 1.2 and later. This command shall be used at least before creation of the first DLC on an RFCOMM session, and the initiator has to try to turn on the use of credit based flow control as described below, and in section 6.5. GSM 07.10 does not explicitly disallow use at any time, but after the DLC is established, the responder of a PN request *may* refuse to change any parameters (by simply including its current parameter set in the response).

There are some parameters in the PN command that convey information not applicable to RFCOMM. These fields shall therefore be set to predetermined values by the sender, and they shall be ignored by the receiver. This concern the following fields (see Table 3 in ref. [1]):

- I1-I4 shall be set to 0. (Meaning: use UIH frames.)
- T1-T8 shall be set to 0. (Meaning: acknowledgment timer T1, which is not negotiable in RFCOMM.)
- NA1-NA8 shall be set to 0. (Meaning: number of retransmissions N2; always 0 for RFCOMM.)

The CL1-CL4 field is completely redefined. (In GSM 07.10, this defines the convergence layer to use, which is not applicable to RFCOMM. In RFCOMM, in Bluetooth versions up to v1.0B, this field was forced to 0.)

In the PN request sent prior to a DLC establishment, this field shall contain the value 15 (0xF), indicating support of credit based flow control in the sender. See Table 5.3. If the PN response contains any other value than 14 (0xE) in this field, it is inferred that the peer RFCOMM entity is not supporting the credit based flow control feature. (This is only possible if the peer RFCOMM implementation is only conforming to Bluetooth v1.0B.) If a PN request is sent on an already open DLC, then this field shall contain the value zero; it is not possible to “set initial credits” more than once per DLC activation.

A responding implementation shall set this field in the PN response to 14 (0xE), if (and only if) the value in the PN request was 15.

Bluetooth version	CL1 - CL4 in PN request	CL1 - CL4 in PN response
<= v1.0B	0x0	0x0
>=v 1.1	0xF	0xE*

Table 5.3: CL field values for different RFCOMM versions

*Or 0x0 if the request was sent from a 1.0B device with no CFC support

The K1 - K3 field is completely redefined. (In GSM 07.10 this is the window size for error recovery mode, which is not applicable to RFCOMM. In RFCOMM, in Bluetooth versions up to v1.0B, this field was forced to 0.)

In the PN request/response, this field is now interpreted as the initial amount of credits issued to the peer. Thus, this field can take any value in the range from 0 - 7, both in the request and in the response.

This interpretation depends on the contents of the CL1 - CL4 field defined above, i.e. when credit based flow control is not indicated, K1 - K3 shall be forced to 0.

If a command is received with invalid (or for some reason unacceptable) values in any field, a DLC parameter negotiation response shall be issued with values that are acceptable to the responding device, or the responder may send a DM frame on the DLC indicated in the PN command. A device receiving a PN command shall send a response. The response may be a PN response, or a DM frame. For a PN command with N1 value of N1c (c for command), a PN response shall have an N1 value N1r (r for response) where N1r <= N1c. If the receiver is not willing to establish a connection for any reason, it may send a DM frame on the DLCI indicated in the PN command.

A device receiving a PN response may either accept N1r and use this value as the maximum frame data size, or chose not to establish the connection. If it chooses not to establish a connection, it shall send a DISC or DM frame to indicate this.

If this connection is subsequently established, neither side may send a frame with more than N1r bytes of data,

In the case that no PN frames have been exchanged before the DLC establishment, then both implementations should use the default value described in RFCOMM spec [Table 5.1](#).

6 Flow Control

Wired ports commonly use flow control such as RTS/CTS to control communications. On the other hand, the flow control between RFCOMM and the lower layer L2CAP depends on the service interface supported by the implementation. In addition, RFCOMM has its own flow control mechanisms. This section describes the different flow control mechanisms.

6.1 L2CAP Flow Control in Overview

L2CAP may employ either the Link Controller stop and go flow control mechanism or the L2CAP per-channel flow control mechanism. The flow control mechanism between the L2CAP and RFCOMM layers is implementation-specific.

6.2 Wired Serial Port Flow Control

Wired Serial ports falls into two camps – software flow control using characters such as XON/XOFF, and flow control using RTS/CTS or DTR/DSR circuits. These methods may be used by both sides of a wired link, or may be used only in one direction.

6.3 GSM 07.10 Flow Control

The GSM 07.10 protocol provides two flow control mechanisms:

1. The GSM 07.10 protocol contains flow control commands that operate on the aggregate data flow between two RFCOMM entities; i.e. all DLCIs are affected. The control channel commands, FCon and FCoff, are defined in section 5.4.6.3 in ref [1].
2. The Modem Status command as defined in section 5.4.6.3 in [1] is the flow control mechanism that operates on individual DLCI.

These flow control mechanisms only relate to the flow of user payload data in UIH frames on DLCIs other than the multiplexer control channel (DLCI 0). It is mandatory to support these GSM 07.10-styles of flow control, in order to maintain backward compatibility with earlier Bluetooth versions.

When MSC commands are used², it is only the FC bit that affects the flow on the RFCOMM protocol level. The RTR bit (along with the other V.24 signals in the MSC command) shall only be treated transparently as “information” by the RFCOMM entity.

See also figure 3.1. The V.24 signals carry information between the port emulation entities on behalf of applications, and can also be interpreted as “flow control” information as described in the section on Port Emulation Entity Serial Flow Control Port Emulation Entity Serial Flow Control, if negotiation has been done with the RPN command.

² In any case MSC commands and responses must be exchanged before the data transfer may start, as stated in the ETSI standard TS 07.10, Section 5.4.6.3.7.

6.4 Port Emulation Entity Serial Flow Control

On Type 1 devices some port drivers (Port Emulation Entities plus RFCOMM) will need to provide flow control services as specified by the API they are emulating. An application may request a particular flow control mechanism like XON/XOFF or RTS/CTS and expect the port driver to handle the flow control. On type 2 devices the port driver may need to perform flow control on the non-RFCOMM part of the communication path; i.e. the physical RS-232 port. This flow control is specified via the control parameters sent by the peer RFCOMM entity (usually a type 1 device). The description of flow control in this section is for port drivers on type 1 devices.

Since RFCOMM already has its own flow control mechanism, the port driver does not need to perform flow control using the methods requested by the application. In the ideal case, the application sets a flow control mechanism and assumes that the operating system will handle the details. The port driver could then simply ignore the request and rely on RFCOMM's flow control. The application is able to send and receive data, and does not know or care that the port driver did not perform flow control using the mechanism requested. However, in the real world some problems arise.

- The RFCOMM-based port driver is running on top of a packet-based protocol where data may be buffered somewhere in the communication path. Thus, the port driver cannot perform flow control with the same precision as in the wired case.
- The application may decide to apply the flow control mechanism itself in addition to requesting flow control from the port driver.

These problems suggest that the port driver must do some additional work to perform flow control emulation properly. Here are the basic rules for flow control emulation.

- The port driver will not solely rely on the mechanism requested by the application but use a combination of flow control mechanisms.
- The port driver must be aware of the flow control mechanisms requested by the application and behave like the wired case when it sees changes on the non-data circuits (hardware flow control) or flow control characters in the incoming data (software flow control). For example, if XOFF and XON characters would have been stripped in the wired case they must be stripped by the RFCOMM based port driver.
- If the application sets a flow control mechanism via the port driver interface and then proceeds to invoke the mechanism on its own, the port driver must behave in a manner similar to that of the wired case (e.g. If XOFF and XON characters would have been passed through to the wire in the wired case the port driver must also pass these characters).

These basic rules are applied to emulate each of the wired flow control schemes. Note that multiple types of flow control may be set at the same time. Section 5.4.8 in ref [1] defines each flow control mechanism.

6.5 Credit Based Flow Control

This is a mandatory feature that did not exist in RFCOMM in Bluetooth specifications v1.0B and earlier. Therefore, its use is subject to negotiation before the first DLC

establishment (see DLC Parameter Negotiation (PN) and Initial DLC Negotiation). Implementations conforming to this specification shall support it, and shall try to use it when connecting to other devices.

The credit based flow control feature provides flow control on a per - DLC basis. When used, both devices involved in a RFCOMM session will know, for each DLC, how many RFCOMM frames the other device is able to accept before its buffers fill up for that DLC. A sending entity may send as many frames on a DLC as it has credits; if the credit count reaches zero, the sender shall stop and wait for further credits from the peer. It is always allowed to send frames containing no user data (length field = 0) when credit based flow control is in use. This mechanism operates independently for each DLC, and for each direction. It does not apply to DLCI 0 or to non-UIH frames.

6.5.1 Initial DLC Negotiation

The use of credit based flow control is a session characteristic. Thus, it has to be negotiated with the PN multiplexor control command (see DLC Parameter Negotiation (PN)) before the first DLC is established.

After the first successful negotiation and DLC establishment, all DLCs will be flow controlled with this scheme. PN negotiation at subsequent DLC establishments is optional, but recommended, since it also establishes initial credit count values on both sides for both sides.

6.5.2 DLC Operation

When credit based flow control is being used, the meaning of the P/F bit in the control field of the RFCOMM header is redefined for UIH frames.

When the P/F-bit is zero in a UIH-frame, the frame is structured according to Figure 5.1. When the P/F-bit is one in a UIH-frame, the frame is structure according to Figure 6.1 below. In this case, a credit field is inserted between the length indicator and the payload information field. The value of the credit octet (0 - 255) signifies a number of frames, for which the sender now has buffer space available to receive on the DLC. (Each frame may be sized up to an agreed maximum frame size). Credits are additive, meaning that received credits are added to whatever remaining credits that may be left from before. In this case, the length indicator field (as always) indicates the number of information octets in the following information field; however, the maximum number of allowable information octets is decreased by one to compensate for the credit field. (This is to keep the maximum L2CAP payload size constant). This means, that for UIH-frames with the P/F-bit = 0, the maximum size of the information field is the negotiated one (= the N1 parameter), whereas for UIH-frames with the P/F-bit = 1, the actual maximum size is one less (N1 - 1).

Flag	Address	Control	Length Indicator	Credits	Information	FCS	Flag
0111 1101	1 octet	1 octet	1 or 2 octets	1 octet	Unspecified length but integral number of octets	1 octet	0111 1101

Figure 6.1: Frame Structure for Basic option, UIH frames with P/F-bit = 1 and credit based flow control used.

Note that the opening and closing flags from 07.10 Basic option are excluded in RFCOMM.

6.5.3 Other Flow Control Aspects

When credit based flow control is being used on a session, the following applies:

- The FCon and FCOff multiplexer control commands shall not be used.
- The FC-bit in the MSC-command has no meaning; it shall be set to zero in MSC-commands, and it shall be ignored by a receiver.
- The FCon, FCOff multiplexer control commands and MSC flow control are deprecated as of version 1.1.

7 Interaction with Other Entities

7.1 Port Emulation and Port Proxy Entities

This section defines how the RFCOMM protocol should be used to emulate serial ports. [Figure 7.1](#) shows the two device types that the RFCOMM protocol supports.

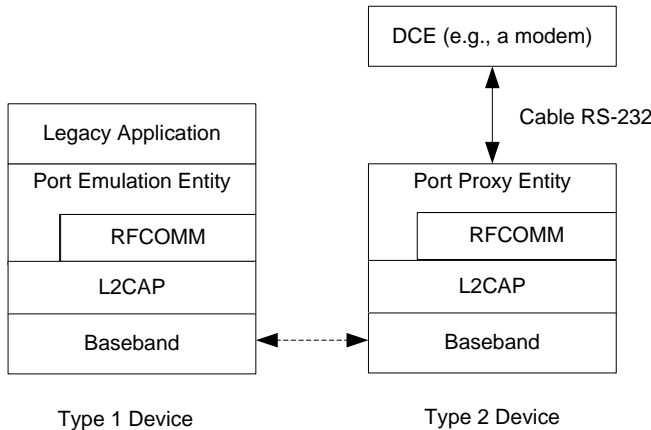


Figure 7.1: The RFCOMM communication model

Type 1 devices are communication endpoints such as computers and printers. Type 2 devices are part of a communication segment; e.g., modems.

7.1.1 Port Emulation Entity

The port emulation entity maps a system specific communication interface (API) to the RFCOMM services.

7.1.2 Port Proxy Entity

The port proxy entity relays data from RFCOMM to an external RS-232 interface linked to a DCE. The communications parameters of the RS-232 interface are set according to received RPN commands; see section 5.5.1.

7.2 Service Registration and Discovery

Registration of individual applications or services, along with the information needed to reach those (i.e., the RFCOMM Server Channel) is the responsibility of each application respectively (or possibly a Bluetooth configuration application acting on behalf of legacy applications not directly aware of Bluetooth).

Below is a template/example for developing service records for a given service or profile using RFCOMM. It illustrates the inclusion of the ServiceClassList with a single service class, and a ProtocolDescriptorList with two protocols (although there may be more protocols on top of RFCOMM). The example shows the use of one other universal attribute (ServiceName). For each service running on top of RFCOMM, appropriate

SDP-defined universal attributes and/or service-specific attributes will apply. For additional information on Service Records, see the SDP Specification [3], Section 2.2.

The attributes that a client application needs (at a minimum) to connect to a service on top of RFCOMM are the ServiceClassIDList and the ProtocolDescriptorList (corresponding to the shaded rows in the following table).

Item	Definition	Type/Size	Value	Attribute ID
ServiceClassIDList			Note1	0x0001
ServiceClass0	Note5	UUID/32-bit	Note1	
ProtocolDescriptorList				0x0004
Protocol0	L2CAP	UUID/32-bit	L2CAP /Note1	
Protocol1	RFCOMM	UUID/32-bit	RFCOMM /Note1	
ProtocolSpecificParameter0	Server Channel	UInt8	N = server channel #	
[other protocols]		UUID/32-bit	Note1	
[other protocol-specific parameters]	Note3	Note3	Note3	
ServiceName	Displayable text name	DataElement/String	'Example service'	Note2
[other universal attributes as appropriate for this service]	Note4	Note4	Note4	Note4
[service-specific attributes]	Note3	Note3	Note3	Note3

Notes:

Defined in "Bluetooth Assigned Numbers" [4]

1. For national language support for all 'displayable' text string attributes, an offset has to be added to the LanguageBaseAttributeIDList value for the selected language (see the SDP Specification, Section 5.1.14 for details).
2. To be defined (where necessary) for the specific service.
3. For a specific service some of the SDP-defined universal attributes may apply. See the SDP Specification, Section 5.1
4. This indicates the class of service. It may be a single entry or a list of service classes ranging from generic to most specific.

7.3 Lower Layer Dependencies

7.3.1 Reliability

RFCOMM uses the services of L2CAP to establish L2CAP channels to RFCOMM entities on other devices. An L2CAP channel is used for the RFCOMM/TS 07.10 multiplexer session. On such a channel, the GSM 07.10 frames listed in section 4.2 are sent, with the adaptation defined in section 5.1.

Some frame types (SABM and DISC) as well as UIH frames with multiplexer control commands sent on DLCI 0 always require a response from the remote entity, so they are acknowledged on the RFCOMM level (but not retransmitted in the absence of acknowledgment; see section 5.3). Data frames do not require any response in the RFCOMM protocol, and are thus unacknowledged.

Therefore, RFCOMM shall configure L2CAP to provide channels with reliability, to provide assurance that all frames are delivered in order, and without duplicates. To achieve that, the L2CAP error control mechanism may be used or the flush timeout must be configured to be infinite.

7.3.2 Low Power Modes

If all L2CAP channels towards a certain device are idle for a certain amount of time, a decision may be made to put that device in a low power mode (i.e., use hold, sniff, or park, see 'Baseband Specification' section 10.10.3). This will be done without any interference from RFCOMM. RFCOMM may state its latency requirements to L2CAP. This information may be used by lower layers to decide which low power mode(s) to use.

The RFCOMM protocol does not suffer from latency delays incurred by low power modes, and consequentially, this specification does not state any maximum latency requirement on RFCOMM's behalf. Latency sensitivity inherently depends on application requirements, which suggests that an RFCOMM service interface implementation could include a way for applications to state latency requirements, to be aggregated and conveyed to L2CAP by the RFCOMM implementation. (That is if such procedures make sense for a particular platform.)

8 References

- [1] GSM 07.10, v6.3.0, ETSI
- [2] Bluetooth Core Specification v2.0 + EDR and later, Volume 3, Part A (L2CAP)
- [3] Bluetooth Core Specification v2.0 + EDR and later, Volume 3, Part B (SDP)
- [4] [Bluetooth Assigned Numbers](#)

9 Terms and Abbreviations

The following terms are used throughout the document.

Term	Definition
DTE	Data Terminal Equipment – in serial communications, DTE refers to a device at the endpoint of the communications path; typically a computer or terminal
DCE	Data Circuit-Terminating Equipment – in serial communications, DCE refers to a device between the communication endpoints whose sole task is to facilitate the communications process; typically a modem
RFCOMM initiator	The device initiating the RFCOMM session; i.e. setting up RFCOMM channel on L2CAP and starting RFCOMM multiplexing with the SABM command frame on DLCI 0 (zero)
RFCOMM Client	An RFCOMM client is an application that requests a connection to another application (RFCOMM server)
RFCOMM Server	An RFCOMM server is an application that awaits a connection from an RFCOMM client on another device. What happens after such a connection is established is not within the scope of this definition
RFCOMM Server Channel	This is a subfield of the GSM 07.10 DLCI number. This abstraction is used to allow both server and client applications to reside on both sides of an RFCOMM session